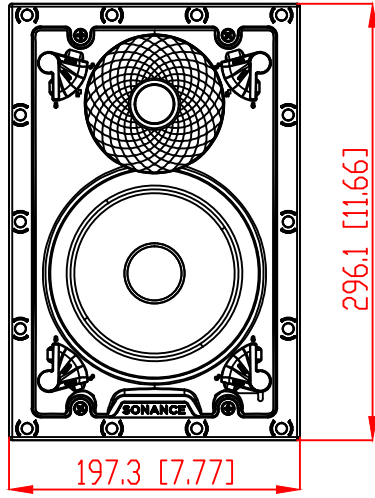
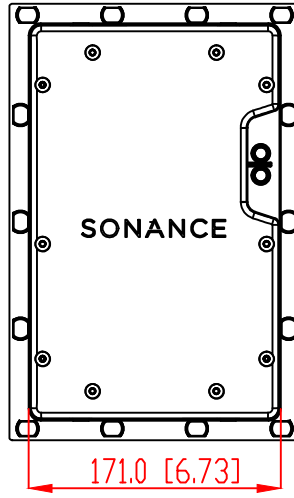


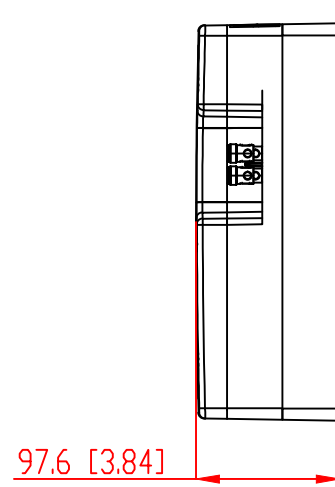
FRONT



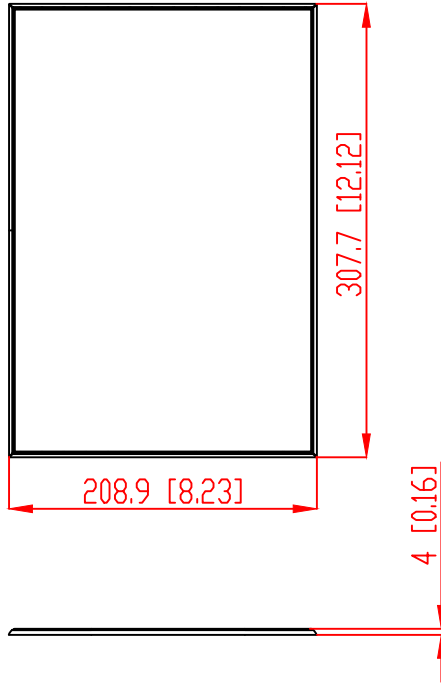
BACK / MINIMUM CUTOUT



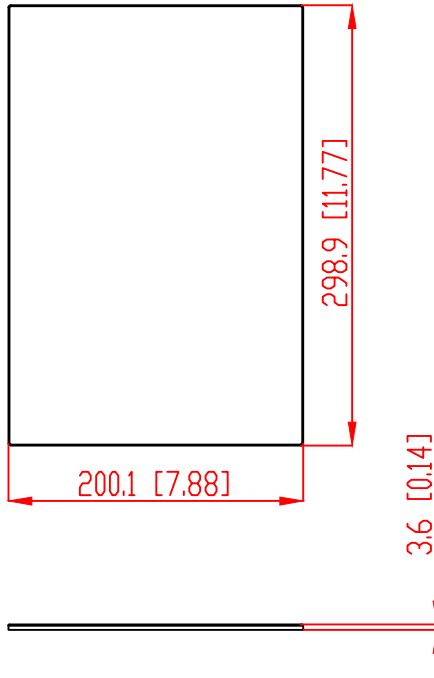
MOUNTING DEPTH



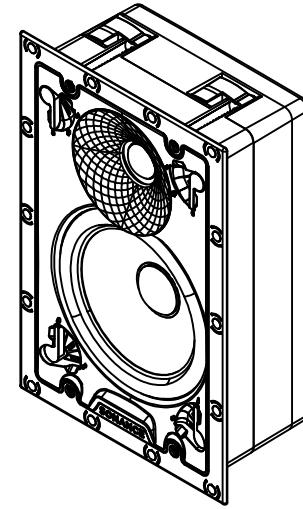
MICRO TRIM GRILLE



TRIMLESS GRILLE



ISOMETRIC



991 Calle Amanecer  
 San Clemente, California 92673 USA  
 949-492-7777  
 WWW.SONANCE.COM

**SONANCE**

VX62 WITH RETROFIT ENCLOSURE SPEAKER

SCALE: 4 : 5  
 SHEET: 0F

DRAWN BY: Roy

DRWN - PART NUMBER

REV.

RELEASED DIM